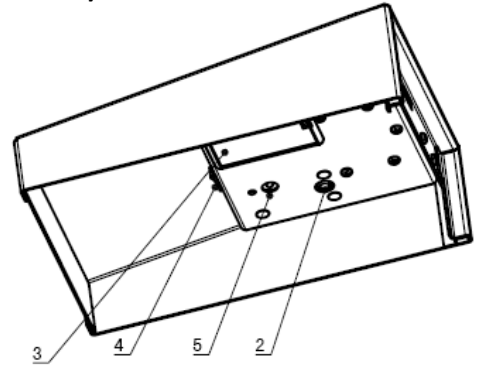
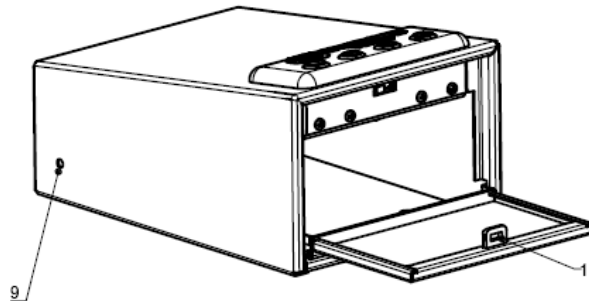
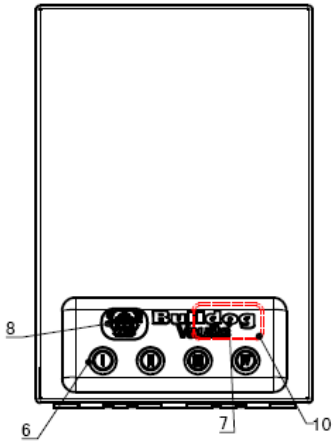




Bulldog Vaults

Magnum LED Quick Vaults (BD4030L & BD4040L)

Instruction Manual



1. Locking Mechanism

5. Interior Light

9. Security Cable Hole

2. Programming Button

6. LED Access Buttons

3. Battery Compartment

7. Power on Button "O"

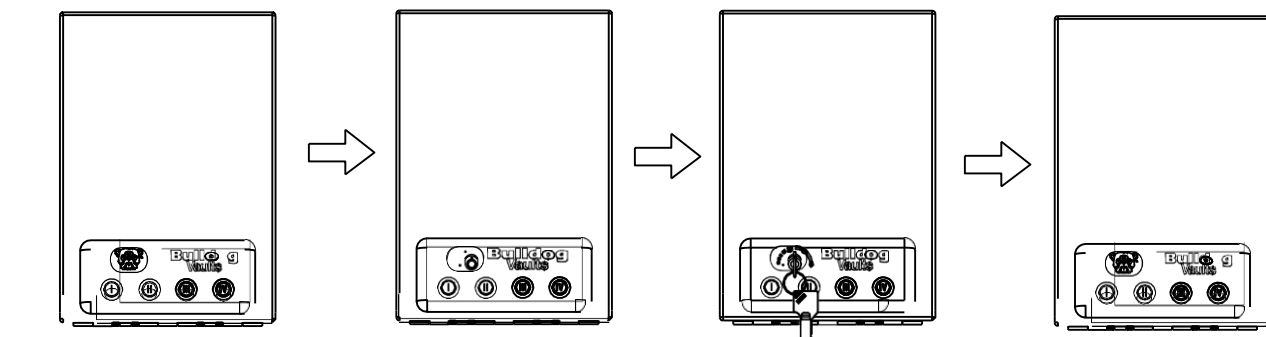
4. Silent Mode Switch

8. Emergency Key Cover

Thank you for purchasing the Magnum Quick Vault. To get started you will need 4 AA Alkaline batteries (not included), the instructions and the emergency key. The vault has been shipped in the locked position. To install the batteries and begin programming your new vault please read the entire instruction manual and then proceed to the "Opening the vault using the emergency key" section below.

Opening the Quick Vault using the emergency key: The Quick Vault is supplied with an emergency key to open it manually. You will need this key to open the vault so that the batteries may be installed or replaced in the event of a loss of power or an electrical malfunction. To open the vault using the emergency key remove the "Emergency Key cover" (8 on diagram). The cover is magnetic and be removed by pressing either the left or right side of the cover. Once the cover is removed insert the emergency key and turn it clockwise or to the right to open the door. **Do not store your key inside of the vault!** The key will override the vaults electronic system allowing you to access the vault at any time regardless of the battery condition so always store your keys in a secure location. Your emergency key has a key code printed on the key. Please record your key code below and on the included warranty card. You will need this number to reorder any lost keys in the future.

KEY CODE



Installing the Batteries: For this step you will need 4 AA Alkaline batteries (not included). With the door open locate the "Battery Compartment" (3 on diagram). Open the compartment cover by pressing the plastic tab toward the back of the vault. This step may be easiest with the vault laying on its side, a small flashlight may also be useful. Insert the 4 AA batteries paying attention to the "+" and "-" signs. The "-" end of the batteries go against the spring inside of the compartment. If the batteries are installed correctly the vault will beep once and the LED access buttons will flash blue one time. Replace the compartment cover.

Two Methods of Opening: The Quick Vault has two different methods of entry. The first is the emergency key and has been described in the previous step. This method may be used at any time and will open the vault regardless of battery condition. The second method is using a 3 to 8 digit personal code that can be entered by using the four LED Night Light Access buttons as described below.

Opening Quick Vault with the Factory Preset Code: The factory preset code for your vault is **I, II, III, IV**. To wake the system, press the "Power on Button" which is the "O" in Bulldog (7 on diagram). Once the system is awake the LED Access Buttons will light up blue and beep once. Now enter the factory code of **I, II, III, IV**. Each blue light will flash green once and return to blue when the correct number is pressed. Once the personal code has been entered successfully the LED Access Buttons will flash green one by one from left to right and the door will automatically open. If the code is entered incorrectly the blue lights will flash green three times and you will hear three audible beeps, the LED access buttons will then turn off. To retry entering the correct code press the power button and repeat the above steps.

NOTE: If the vault loses power longer than 30 minutes the factory preset code of **I, II, III, IV** will be reinstated and your 3 to 8 digit personal code will need to be reset.

Locking the Quick Vault: To lock the vault close the door and press firmly, a click will be heard when the door is securely locked.

Programming Your Personal Access Code: The Quick Vault will accept a 3 to 8 digit personal code. To program your 3 to 8 digit personal code locate the "Programming Button" (2 on diagram). For this step the vault door needs to be in the open position. To begin programming your new code press the "Power on Button" which is the "O" in Bulldog (7 diagram) and release. The LED access buttons will flash green once and then remain blue. While the access buttons are lit blue press the "Programming Button" (2 on diagram) one time and release. The access buttons will flash green two times and then remain blue. You will hear two audible beeps. Enter your personal 3 to 8 digit code and press the "Programming Button" again to store your new code. If your new personal code has been accepted the LED Access Buttons will flash green twice and then remain lit for 2 seconds. You will also hear two audible beeps. **Make sure your emergency keys are not inside of the vault** and close the door of the vault. Test the new code by pressing the "Power on Button" which is the "O" in Bulldog (7 on diagram) and enter your new personal code. If the new personal code has been accepted the LED Access Buttons will flash green one by one from left to right and the door will automatically open. If the Quick Vault does not operate properly open the vault by using the emergency key as described in the previous section and repeat the above steps. Please record your new personal code in a safe place.

Entering the Wrong Code: If the code has been entered incorrectly the LED Access Buttons will flash green four times and you will hear four audible beeps. If the wrong code is entered three consecutive times the safe will go into a lock down mode for five minutes. During this period the front buttons will flash blue and the electronic keypad will be temporarily disabled. The vault may still be opened using the emergency key override. After a five-minute period, the vault will automatically resume normal operation.

Interior Light: The vault is equipped with a LED interior light (5 on diagram). The light will automatically illuminate for 15 seconds when the door is opened using the personal code. After 20 seconds the light will automatically turn off.

Turning off the Audible Sound: To silence the audible sound of the electronics turn the "Silent Mode Switch" (4 on diagram) to the off position.

Low Battery Warning: If the 4 AA batteries go below the required voltage you will hear six audible beeps when opening the vault. Replace the batteries immediately using four AA Alkaline batteries.

Mounting Your Magnum Vault to Floor or Wall: The vault that you have purchased is designed to be permanently mounted to something sturdy (i.e. shelf, wall, floor etc.) for proper safety and security. The vault is not designed to be a portable carrying case. If the vault is dropped it could possibly cause the mechanism to be damaged or trigger, causing the safe to open. The vault comes with pre drilled holes and mounting hardware. It is recommended that the vault be secured with screws or bolts from the inside to prevent removal. If you have any questions concerning the mounting of the vault please contact our customer service department at 800.843.3483.

Mounting Your Magnum Vault Using the Optional Security Cable: A pre drilled hole is provided on back left corner of the vault to permit the attachment of the optional security cable BD-CAB (9 on diagram). To install the optional Bulldog security cable, follow the instructions below.

1. First, loop the end of the security cable around a stationary object and through the eye of the cable.
2. Then, insert the threaded end of the cable through one of the four pre drilled holes in the vault.
3. Hold the cable in place while you place the washer over the threaded end from inside the vault.
4. Spin the nut on the threaded end of the cable from inside the vault and finger tighten.
5. Finally, insert the hitch pin through the hole in the end of the threaded cable to ensure the nut cannot be twisted off.

Key Replacement: Should the vault keys become lost or misplaced, you may order a replacement key by calling the service center at 800.843.3483. Your key code number is printed on the face of the key lock; this number will be required for key replacement. Replacement cost is \$5.00 per key plus S/H.

Warranty: Bulldog Vaults are protected by a full one-year guarantee that entitles the owner to free repair or replacement of the vault if the product failure was caused by a defective part or faulty workmanship. This guarantee lasts for one year from the date of purchase. The repair or replacement will either require the original sales receipt or the original registration. Your vault includes a registration card that must be filled out and returned to Bulldog Vaults with the serial number and original date of purchase. The registration can also be completed at www.bulldogcases.com. The serial number can be found on the back corner of the vault. Any vault returned to Bulldog Vaults must be returned using a Return Authorization number and shipped at the owner's expense. This number may be obtained by calling the service department at 800.843.3483. Any items returned to Bulldog Vaults without the said Return Authorization number may be refused and returned to the sender at their expense. Once the vault is received it will be evaluated, if the vault is deemed to be defective it will be repaired or replaced at the discretion of Bulldog Vaults.

Bulldog Vaults
830 Beauregard Street
Danville, VA 24541
800.843.3483 PH 434.793.7504 Fax