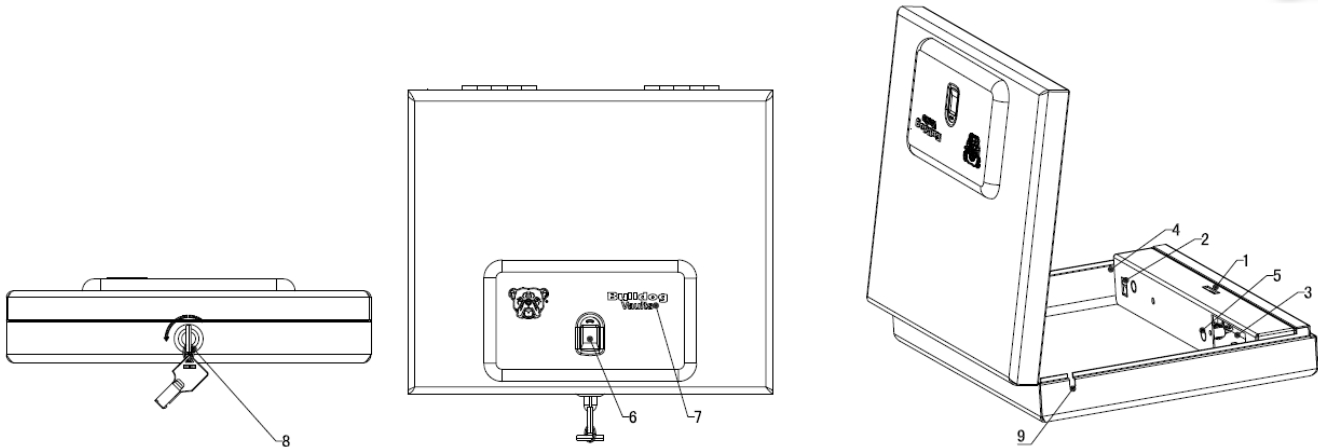




# Bulldog Vaults

## Magnum Biometric Top Load Quick Vault (BD4055B)

### Instruction Manual



1. Locking Mechanism

5. Interior Light

9. Security Cable Slot

2. Programming Button

6. Print Reader

3. Battery Compartment

7. LED Night Light Logo

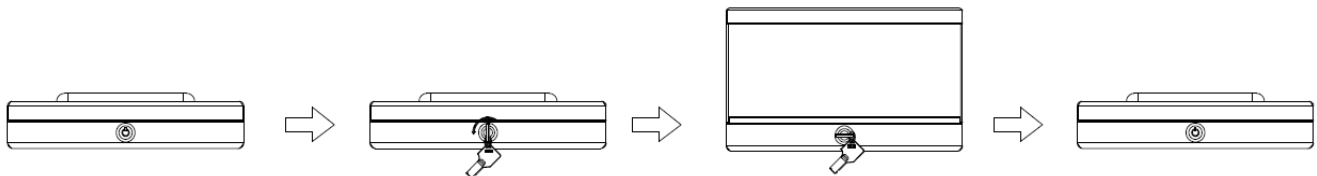
4. Silent Mode Switch

8. Emergency Key Lock

Thank you for purchasing the Magnum Quick Vault. To get started you will need 4 AA Alkaline batteries (not included), the instructions and the emergency key. The vault has been shipped in the locked position. To install the batteries and begin programming your new vault please read the entire instruction manual and then proceed to the "Opening the vault using the emergency key" section below.

**Opening the Quick Vault using the emergency key:** The Quick Vault is supplied with an emergency key to open it manually. You will need this key to open the vault so that the batteries may be installed or replaced in the event of a loss of power or an electrical malfunction. To open the vault using the emergency insert the key into the "Emergency Key Lock" (9 on diagram). Turn it clockwise or to the right to open the lid. **Do not store your key inside of the vault!** The key will override the vaults electronic system allowing you to access the vault at any time regardless of the battery condition so always store your keys in a secure location. Your emergency key has a key code printed on the key. Please record your key code below and on the included warranty card. You will need this number to reorder any lost keys in the future.

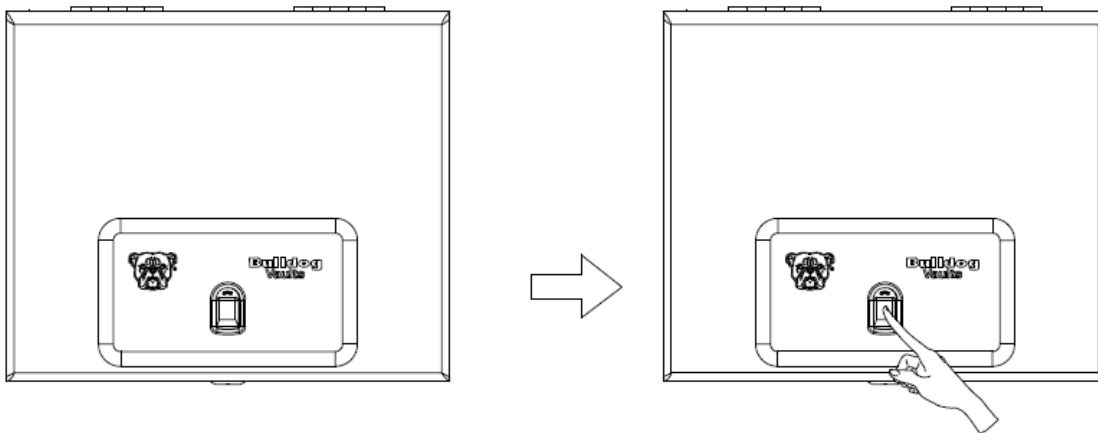
\_\_\_\_\_ **KEY CODE**



**Installing the Batteries:** For this step you will need 4 AA Alkaline batteries (not included). With the lid open locate the "Battery Compartment" (3 on diagram). Open the compartment cover by releasing the plastic tab. Remove the battery holder from inside of the "Battery Compartment". The battery holder is attached to the inside of the vault with electrical wires, please use caution not to pull on the wires. Insert the 4 AA batteries paying attention to the "+" and "-" signs. The "-" end of the batteries go against the spring inside of the compartment. If the batteries are installed correctly the vault will beep once and the LED access buttons will flash blue one time. Place the battery holder back inside of the battery compartment and replace the compartment cover.

**Opening Quick Vault with the Print Reader:** The Quick Vault will operate and open with any finger and or thumb print until it has been programmed with one or more individual prints. To open the vault place any finger or thumb directly on the Print Reader (6 on diagram). The system will automatically wake when a finger or thumb is placed on the print reader screen. You will immediately hear one audible beep and the LED Night Light Logo (7 on diagram) will light up green. The green light means the print has been accepted and the vault door will automatically open. If you hear three audible beeps and the LED Night Light Logo flashes Red three times your print has not been accepted. Refer to the Deleting All Registered Prints section below to clear all registered prints from the vault. The vault will now operate and open with any print until it has been programmed with one or more individual prints.

**NOTE:** Your Magnum Quick Vault has been shipped in demonstration mode and will operate and open with any print. Your vault is not secure for use until one or more individual prints have been programmed. See the Programming Your Individual Print section below.



**360° Access:** The semi-conductor finger print reader allows finger and or thumb prints to be read at multiple angles. Although the print has been registered at a specific angle the smart reader will recognize the print at multiple angles on the print reader providing faster and more reliable access.

**Locking the Quick Vault:** To lock the vault close the lid and press firmly, a click will be heard when the door is securely locked.

**NOTE:** Remember to never store your emergency key inside of the vault.

**(Continued on Next Page)**

**Programming Your Individual Print:** The Quick Vault will accept up to 100 individual finger and or thumb prints. To begin programming your vault make sure the vault is in the open position. For this step you will need to familiarize yourself with the location of the Programming Button (2 on diagram), the Print Reader (6 on diagram) and the LED Night Light Logo (7 on diagram).

1. Press and release the Programming Button one time. You will hear one audible beep and the LED Night Light Logo will flash green one time. You will now have 10 seconds to begin the next step. (If you do not begin the next step within 10 seconds you will hear two audible beeps and the LED Night Light Logo will flash yellow two times signaling that your print has not been registered. You may start over by pressing and releasing the programming button one time.)

2. Once you hear the one audible beep and the LED Night Light Logo flashes green one time place the finger or thumb you are wishing to program directly onto the Print Reader.

**NOTE:** For the best result use firm even pressure when placing your finger or thumb on the Print Reader. Too much pressure or not enough pressure may result in an unstable recording of the print.

**Once you have placed you finger or thumb onto the Print Reader you will hear one audible beep and the LED Night Light Logo will flash green one time. Your new individual print has now been accepted.**

If you hear three audible beeps and the LED Night Light Logo flashes Red three times your print has not been accepted. Please start over with step 1. Of the Programming Your Individual Print section.

**Programming Additional Prints:** The Magnum Quick Vault will accept up to 100 finger and or thumb prints. Additional individual prints can be programmed following steps 1 & 2 in the Programming Your Individual Print section above.

**Deleting All Registered Prints:** For this step you will need to familiarize yourself with the Programming Button (2 on diagram) and the LED Night Light Logo (7 on diagram). To delete all registered prints press and hold the Programming Button. You will hear one audible beep. **DO NOT RELEASE THE PROGRAMMING BUTTON, the registered prints have not been deleted!** After a few more seconds the LED Night Light Logo will flash Red and Green five times. After the fifth flashing light you will hear one audible beep. You may now release the programming button and all registered prints will be deleted.

**NOTE:** The Magnum Quick Vault is no longer secure and will operate and open with any print. To secure the vault by registering you individual print refer to the Programming Your Individual Print Section above.

**Deleting Specific Registered Prints:** Specific prints may not be deleted. **All** registered prints must be deleted by referring to the Deleting All Registered Prints section above.

**Entering the Incorrect Print:** If the incorrect print has been used eight consecutive times the vault will enter a security lock down mode for five minutes. During this time the LED Night Light Logo will flash green and the vault will be inoperable. The vault will resume normal operation after five minutes.

#### **Tips for Optimal Print Reading:**

1. It is recommended that each user Program multiple finger and or thumb prints.
2. Due to the delicate nature of the female prints it is recommended that females use the thumb and middle finger for their individual prints.
3. The best results can be obtained by using firm, even pressure when placing your finger on the Print Reader. Too much pressure or not enough pressure may result in an unstable recording of the fingerprint.
4. In dry weather it may be helpful to lightly moisten the finger or thumb. A small blow of breath directly onto the print usually works best.

**Interior Light:** The vault is equipped with a LED interior light (5 on diagram). The light will automatically illuminate for 20 seconds when the door is opened using the electronic operation. After 20 seconds the light will automatically turn off.

**Turning off the Audible Sound:** To silence the audible sound of the electronics turn the "Silent Mode Switch" (4 on diagram) to the off position.

**Low Battery Warning:** If the 4 AA batteries go below the required voltage you will hear five short audible beeps and the LED Night Light Logo will flash red five times.

**Loss of Power:** If the batteries become critically low or have been removed the Magnum Quick Vault will store all registered fingerprints until new batteries have been installed.

**Mounting Your Magnum Vault to Floor or Wall:** The vault that you have purchased is designed to be permanently mounted to something sturdy (i.e. shelf, wall, floor etc.) for proper safety and security. The vault is not designed to be a portable carrying case. If the vault is dropped it could possibly cause the mechanism to be damaged or trigger, causing the safe to open. The vault comes with pre drilled holes and mounting hardware. It is recommended that the vault be secured with screws or bolts from the inside to prevent removal. If you have any questions concerning the mounting of the vault please contact our customer service department at 800.843.3483.

**Mounting Your Digital Vault Using the Included Security Cable:** A "Security Cable Slot" (9 on diagram) has been provided on the back left side of the vault. To install the security cable follow the instructions below. The lid of the vault will need to be in the open position.

1. First, loop the small end of the security cable around a stationary object and back through the large loop of the cable.
2. With the lid in the open position place the small loop end of the cable inside of the vault. The metal stop should be resting against the inside of the "Security Cable Slot". Close the lid and press down firmly, a click will be heard when the lid is securely locked.

**Key Replacement:** Should the vault keys become lost or misplaced, you may order a replacement key by calling the service center at 800.843.3483. Your key code number is printed on the face of the key lock; this number will be required for key replacement. Replacement cost is \$5.00 per key plus S/H.

**Warranty:** Bulldog Vaults are protected by a full one year guarantee that entitles the owner to free repair or replacement of the vault if the product failure was caused by a defective part or faulty workmanship. This guarantee lasts for one year from the date of purchase. The repair or replacement will either require the original sales receipt or the original registration. Your vault includes a registration card that must be filled out and returned to Bulldog Vaults with the serial number and original date of purchase. The serial number can be found on the back corner of the vault. Any vault returned to Bulldog Vaults must be returned using a Return Authorization number and shipped at the owner's expense. This number may be obtained by calling the service department at 800.843.3483. Any items returned to Bulldog Vaults without the said Return Authorization number may be refused and returned to the sender at their expense. Once the vault is received it will be evaluated, if the vault is deemed to be defective it will be repaired or replaced at the discretion of Bulldog Vaults.

**Bulldog Vaults**  
**830 Beauregard Street**  
**Danville, VA 24541**  
**800.843.3483 PH 434.793.7504 Fax**